

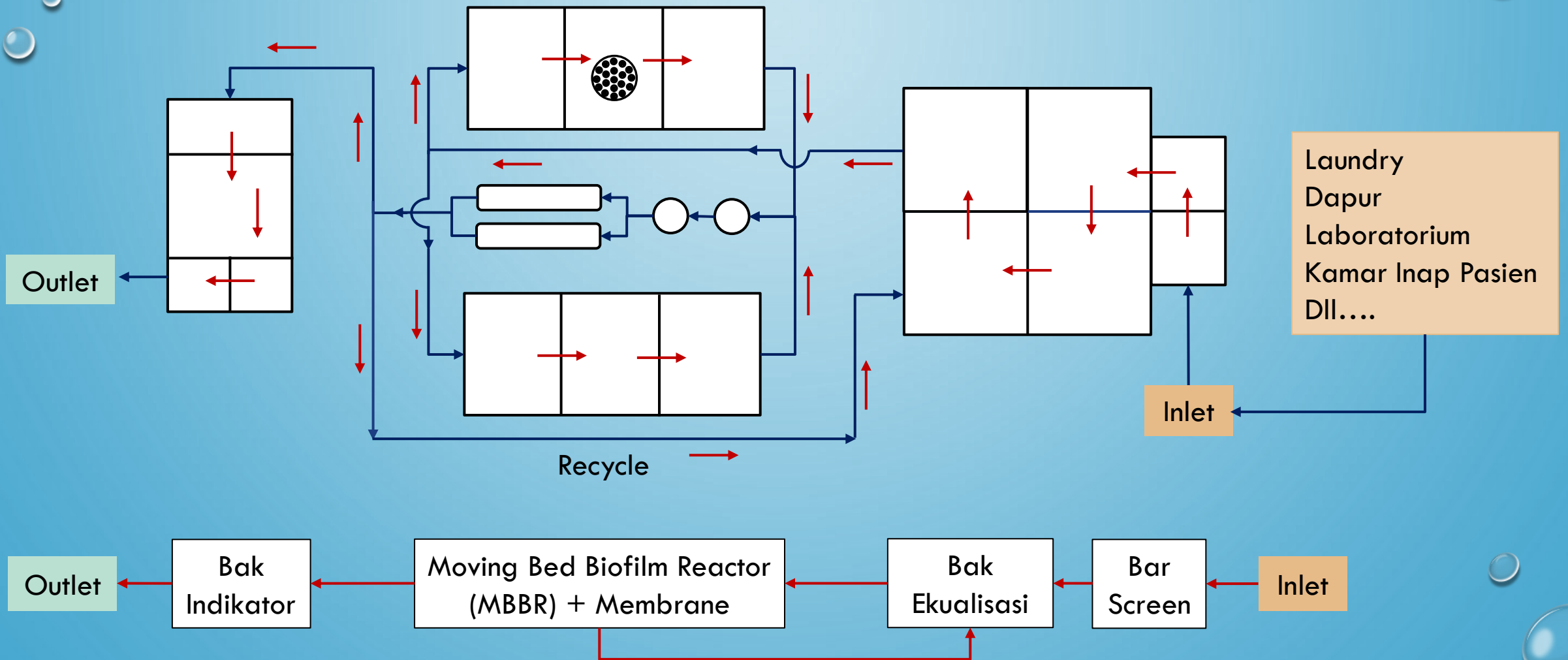
...

LAPORAN HASIL

**PENILAIAN KELAYAKAN TEKNIS/ KELAYAKAN OPERASIONAL
INSTALASI PENGELOLAAN AIR LIMBAH (IPAL)
RSUD TAMAN SEHAT KOTA BONTANG**

OLEH;
Ir. Muhammad Busyairi, S.T., M.Sc., IPM.
Dr. Ir. Abdul Kahar, S.T., M.Si.
Aulia Miftahul Jannah, S.T.
Muhammad Adhitiya Pratama
Rendy Pangestu

**KOTA BONTANG
SEPTEMBER, 2022**



Gambar 2. Proses Sistem Eksisting IPAL RSUD Taman Sehat Bontang

The background is a solid light blue color. It is decorated with several realistic water droplets of various sizes, scattered primarily in the top-left and bottom-right corners. The droplets have highlights and shadows, giving them a three-dimensional appearance.

Terima kasih